

# Doppel-Drosselrückschlagventil mit Steckverbindung Serie aus rostfreiem Stahl Serie ASD-FG

Zwei Durchflussregelventile und Rückschlagventile sind in einem Gehäuse integriert.

Konstante Geschwindigkeitsregulierung auch bei Lastschwankungen.



## Modell

| Modell          | Gewindeanschluss | Verwendbarer Schlauch-Aussen- $\phi$ |   |   |    |    |          |       |       |      |       |      |   |   |   |  |  |  |  |  |   |
|-----------------|------------------|--------------------------------------|---|---|----|----|----------|-------|-------|------|-------|------|---|---|---|--|--|--|--|--|---|
|                 |                  | Metrische Grösse                     |   |   |    |    | Zollmass |       |       |      |       |      |   |   |   |  |  |  |  |  |   |
|                 |                  | 4                                    | 6 | 8 | 10 | 12 | 1/8"     | 5/32" | 3/16" | 1/4" | 5/16" | 3/8" |   |   |   |  |  |  |  |  |   |
| ASD230FG-M5     | M5 x 0.8         | ●                                    | ● |   |    |    |          |       |       |      |       |      |   |   |   |  |  |  |  |  |   |
| ASD330FG-01     | R(PT) 1/8        |                                      | ● | ● |    |    |          |       |       |      |       |      |   |   |   |  |  |  |  |  |   |
| ASD430FG-02     | R(PT) 1/4        |                                      | ● | ● | ●  |    |          |       |       |      |       |      |   |   |   |  |  |  |  |  |   |
| ASD530FG-02     | R(PT) 1/4        |                                      | ● | ● | ●  | ●  |          |       |       |      |       |      |   |   |   |  |  |  |  |  |   |
| ASD530FG-03     | R(PT) 3/8        |                                      | ● | ● | ●  | ●  |          |       |       |      |       |      |   |   |   |  |  |  |  |  |   |
| ASD630FG-04     | R(PT) 1/2        |                                      |   |   | ●  | ●  |          |       |       |      |       |      |   |   |   |  |  |  |  |  |   |
| ASD230FG-U10/32 | 10-32 UNF        |                                      |   |   |    |    | ●        | ●     | ●     | ●    |       |      |   |   |   |  |  |  |  |  |   |
| ASD330FG-N01    | NPT 1/8          |                                      |   |   |    |    |          |       |       | ●    | ●     | ●    |   |   |   |  |  |  |  |  |   |
| ASD430FG-N02    | NPT 1/4          |                                      |   |   |    |    |          |       |       |      | ●     | ●    | ● |   |   |  |  |  |  |  |   |
| ASD530FG-N02    | NPT 1/4          |                                      |   |   |    |    |          |       |       |      |       | ●    | ● | ● |   |  |  |  |  |  |   |
| ASD530FG-N03    | NPT 3/8          |                                      |   |   |    |    |          |       |       |      |       |      | ● | ● | ● |  |  |  |  |  |   |
| ASD630FG-N04    | NPT 1/2          |                                      |   |   |    |    |          |       |       |      |       |      |   |   |   |  |  |  |  |  | ● |

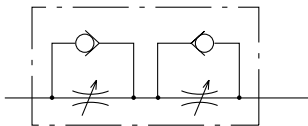
## Technische Daten

|  |  |
|--|--|
| Prüfdruck  | 1.5MPa   |
| Max. Betriebsdruck                               | 1MPa   |
| Min. Betriebsdruck                               | 0.1MPa   |
| Umgebungs- und Medientemperatur                  | -5 bis 60°C (nicht gefroren)                       |
| Einstellbereich der Nadel                        | 10 Umdrehungen (8 Umdrehungen <sup>Anm. 1)</sup> ) |
| Verwendbares Schlauchmaterial <sup>Anm. 2)</sup> | Nylon, Weichnylon, PUR, Weich-PUR                  |

Anm. 1) Für Ausführung ASD230FG

Anm. 2) Beachten Sie den max. Betriebsdruck bei Verwendung von Weich-Nylon, PUR und Weich-PUR.

## Symbol



## Anzeige der Durchflussrichtung am Gehäuse

|            | Abluftdrossel | Zuluftdrossel |
|------------|---------------|---------------|
| Symbol     |               |               |
| JIS-Symbol |               |               |

## Durchfluss und äquivalenter Querschnitt

| Modell                  | Metrisch                                 | ASD230FG                    | ASD330FG                    | ASD430FG |  | ASD530FG    |              |                    | ASD630FG  |             |
|-------------------------|--|-----------------------------|-----------------------------|----------|--|-------------|--------------|--------------------|-----------|-------------|
|                         |  | $\phi 4, \phi 6$            | $\phi 6, \phi 8$            | $\phi 6$ | $\phi 8, \phi 10$                          | $\phi 6$    | $\phi 8$     | $\phi 10, \phi 12$ | $\phi 10$ | $\phi 12$   |
| Schlauch-Aussen- $\phi$ | Zollmass                                 | $\phi 1/8"$<br>$\phi 5/32"$ | $\phi 3/16"$<br>$\phi 1/4"$ | —        | $\phi 1/4"$<br>$\phi 5/16"$<br>$\phi 3/8"$ | $\phi 1/4"$ | $\phi 5/16"$ | $\phi 3/8"$        | —         | $\phi 3/8"$ |
|                         | Regulierbarer Volumenstrom $l/min$ (ANR) | 75                          | 175                         | 295      | 350  | 500         | 600          | 700                | 1200      | 1300        |
| Volumenstrom            | Äqu. Querschnitt (mm <sup>2</sup> )      | 1.1                         | 2.7                         | 4.5      | 5.3  | 7.6         | 9.1          | 10.7               | 18.3      | 19.8        |

Anm. 1) Die Werte für die Durchflussraten gelten bei einem Druck von 0.5 MPa und einer Temperatur von 20°C.

# Doppel-Drosselrückschlagventil aus rostfreiem Stahl Serie ASD-FG

## Bestellschlüssel

**ASD 3 30FG - 01 - 06 S**

### Baugröße

|   |              |
|---|--------------|
| 2 | M5-Standard  |
| 3 | 1/8-Standard |
| 4 | 1/4-Standard |
| 5 | 3/8-Standard |
| 6 | 1/2-Standard |

### Modell

|   |               |
|---|---------------|
| 3 | Universal-Typ |
|---|---------------|

Mit Steckverbindung

Symbol für rostfreien Stahl (SUS303)

### Gewindeart

|   |                        |
|---|------------------------|
| - | Metrisch (M5)          |
| - | UNI-Gewinde (10-32UNF) |
| - | R(PT)                  |
| N | NPT                    |

### Gewindeanschluss

|        |          |
|--------|----------|
| M5     | M5       |
| U10/32 | 10-32UNF |
| 01     | 1/8      |
| 02     | 1/4      |
| 03     | 3/8      |
| 04     | 1/2      |

### teflonisiert

\* M5 und U10/32 sind nicht mit Dichtungsmasse verfügbar.

### Verwendbarer Schlauch-Aussen-ø

#### Metrisch

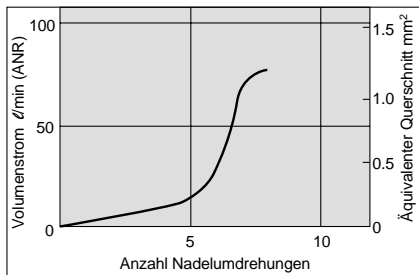
|    |     |
|----|-----|
| 04 | ø4  |
| 06 | ø6  |
| 08 | ø8  |
| 10 | ø10 |
| 12 | ø12 |

#### Zollmass

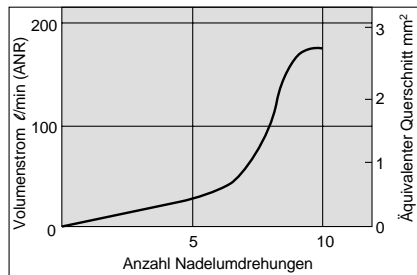
|    |        |
|----|--------|
| 01 | ø1/8"  |
| 03 | ø5/32" |
| 05 | ø3/16" |
| 07 | ø1/4"  |
| 09 | ø5/16" |
| 11 | ø3/8"  |

## Einstellnadel/Durchfluss-Kennlinien

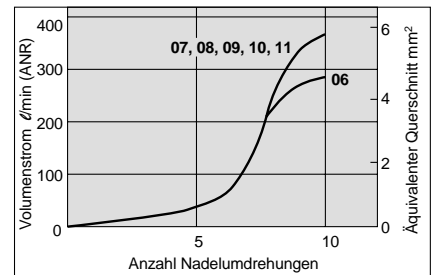
ASD230FG



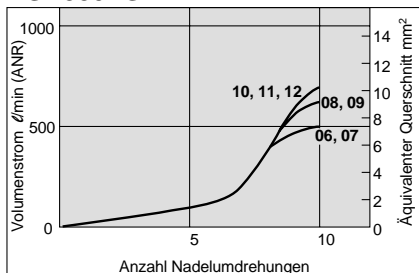
ASD330FG



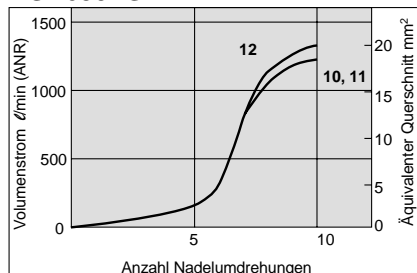
ASD430FG



ASD530FG



ASD630FG



AS

ASN

AQ

ASV

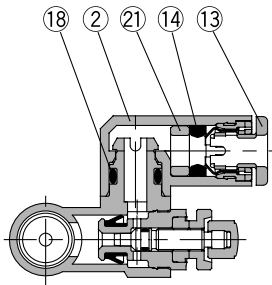
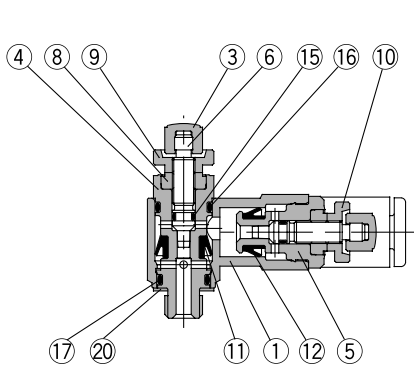
AK

ASS

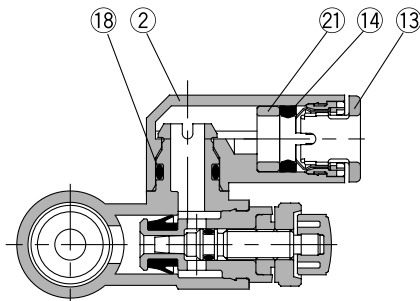
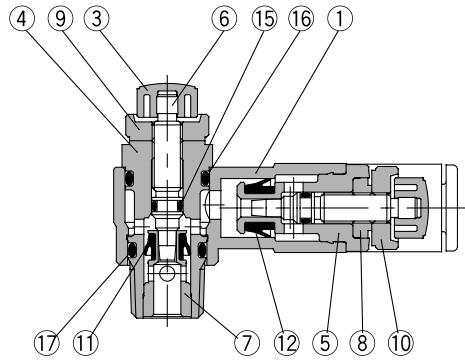
# Serie ASD-FG

## Konstruktion

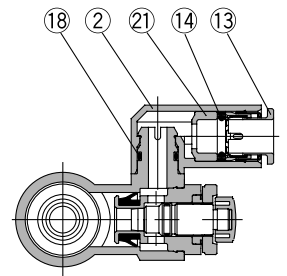
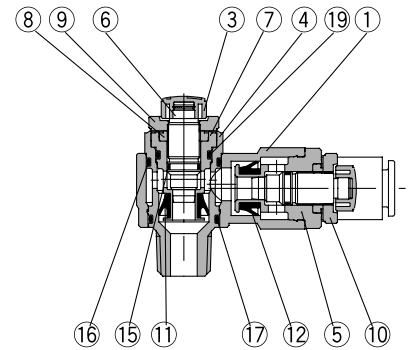
### ASD230FG



### ASD330FG/430FG ASD530FG/630FG



### ASD530FG-02



### Stückliste

| Pos. | Bezeichnung          | Material | Bemerkung |
|------|----------------------|----------|-----------|
| 1    | <b>Gehäuse A</b>     | PBT      |           |
| 2    | <b>Winkelgehäuse</b> | PBT      |           |
| 3    | <b>Drehknopf</b>     | PBT      |           |
| 4    | <b>Gehäuse B</b>     | SUS303   |           |
| 5    | <b>Gehäuse B</b>     | SUS303   |           |
| 6    | <b>Einstellnadel</b> | SUS303   |           |
| 7    | <b>Ring</b>          | SUS303   |           |
| 8    | <b>Nadelführung</b>  | SUS303   |           |
| 9    | <b>Gegenmutter</b>   | SUS303   |           |
| 10   | <b>Gegenmutter</b>   | SUS303   |           |
| 11   | <b>Dichtung</b>      | NBR      |           |

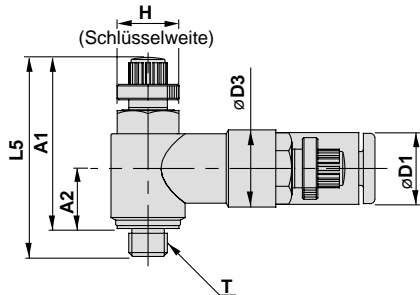
| Pos. | Bezeichnung         | Material             | Bemerkung  |
|------|---------------------|----------------------|------------|
| 12   | <b>Dichtung</b>     | NBR                  |            |
| 13   | <b>Druckring</b>    | POM/rostfreier Stahl |            |
| 14   | <b>Dichtung</b>     | NBR                  |            |
| 15   | <b>O-Ring</b>       | NBR                  |            |
| 16   | <b>O-Ring</b>       | NBR                  |            |
| 17   | <b>O-Ring</b>       | NBR                  |            |
| 18   | <b>O-Ring</b>       | NBR                  |            |
| 19   | <b>O-Ring</b>       | NBR                  |            |
| 20   | <b>Dichtung</b>     | NBR/rostfreier Stahl | Nur Typ M5 |
| 21   | <b>Distanzstück</b> | POM Anm. 1)          |            |

Anm. 1)  $\varnothing 3/16''$ ,  $\varnothing 3/8''$  und  $\varnothing 1/2''$  sind aus SUS303.

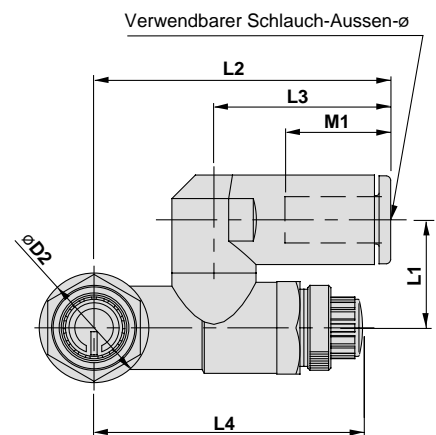
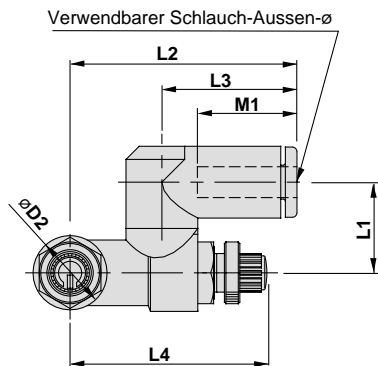
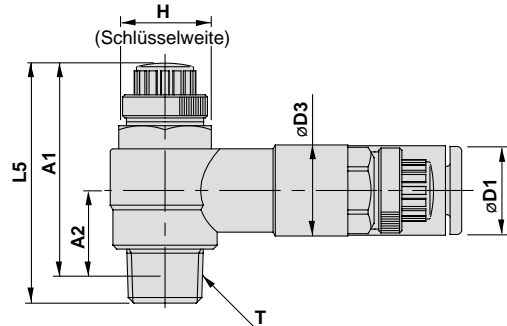
# Doppel-Drosselrückschlagventil aus rostfreiem Stahl Serie ASD-FG

## Abmessungen/Metrisch

### ASD230FG



### ASD330FG/430FG ASD530FG/630FG



## Metrische Abmessungen

| Modell          | d  | T         | H  | D1   | D2   | D3   | L1   | L2   | L3   | L4   |      | L5   |      | A1 * |      | A2 * | M1   |
|-----------------|----|-----------|----|------|------|------|------|------|------|------|------|------|------|------|------|------|------|
|                 |    |           |    |      |      |      |      |      |      | Max. | Min. | Max. | Min. | Max. | Min. |      |      |
| ASD230FG-M5-04  | 4  | M5        | 8  | 9.3  | 9.6  | 10   | 11.7 | 29.4 | 17.5 | 28.3 | 25.5 | 28.6 | 25.8 | 25   | 22.2 | 7.8  | 12.9 |
| ASD230FG-M5-06  | 6  |           |    | 11.6 |      |      |      | 32.5 | 20.6 |      |      |      |      |      |      |      | 13.7 |
| ASD330FG-01-06S | 6  | R(PT) 1/8 | 12 | 11.6 | 14.2 | 11.8 | 14   | 38.5 | 22.9 | 39.6 | 34.6 | 36.1 | 31.1 | 32.1 | 27.1 | 10.6 | 13.7 |
| ASD330FG-01-08S | 8  |           |    | 15.2 |      |      |      | 44.8 | 28.2 |      |      |      |      |      |      |      | 38.9 |
| ASD430FG-02-06S | 6  | R(PT) 1/4 | 17 | 12.8 | 18.5 | 15   | 18   | 43.5 | 25.2 | 41.7 | 36.7 | 40.4 | 35.4 | 34.4 | 29.4 | 11   | 17   |
| ASD430FG-02-08S | 8  |           |    | 15.2 |      |      |      | 46.5 | 28.2 |      |      |      |      |      |      |      | 41.7 |
| ASD430FG-02-10S | 10 |           |    | 18.5 |      |      | 19.7 | 49.3 | 31   |      |      |      |      |      |      |      | 21   |
| ASD530FG-02-06S | 6  | R(PT) 1/4 | 19 | 12.8 | 23   | 19.8 | 20.3 | 48.3 | 25.2 | 46.9 | 41.9 | 48.8 | 43.8 | 42.8 | 37.8 | 15.4 | 17   |
| ASD530FG-02-08S | 8  |           |    | 15.2 |      |      |      | 51.3 | 28.2 |      |      |      |      |      |      |      | 46.9 |
| ASD530FG-02-10S | 10 |           |    | 18.5 |      |      | 23.1 | 54.1 | 32.6 |      |      |      |      |      |      |      | 21   |
| ASD530FG-02-12S | 12 |           |    | 20.9 |      |      |      | 55.9 | 34.4 |      |      |      |      |      |      |      | 22   |
| ASD530FG-03-06S | 6  | R(PT) 3/8 | 19 | 12.8 | 23   | 19.8 | 20.3 | 48.3 | 25.2 | 46.9 | 41.9 | 48.8 | 43.8 | 40   | 35   | 14   | 17   |
| ASD530FG-03-08S | 8  |           |    | 15.2 |      |      |      | 51.3 | 28.2 |      |      |      |      |      |      |      | 46.9 |
| ASD530FG-03-10S | 10 |           |    | 18.5 |      |      | 23.1 | 54.1 | 32.6 |      |      |      |      |      |      |      | 21   |
| ASD530FG-03-12S | 12 |           |    | 20.9 |      |      |      | 55.9 | 34.4 |      |      |      |      |      |      |      | 22   |
| ASD630FG-04-10S | 10 | R(PT) 1/2 | 24 | 18.5 | 28.6 | 26.5 | 25.9 | 64.3 | 32.6 | 64.8 | 57.3 | 57.6 | 50.1 | 49.6 | 42.1 | 18.6 | 21   |
| ASD630FG-04-12S | 12 |           |    | 20.9 |      |      |      | 66.1 | 34.4 |      |      |      |      |      |      |      | 64.8 |

\* Referenz-Abmessungen des M5 X 0.8, R(PT)-Gewindes nach dem Einschrauben.

AS

ASN

AQ

ASV

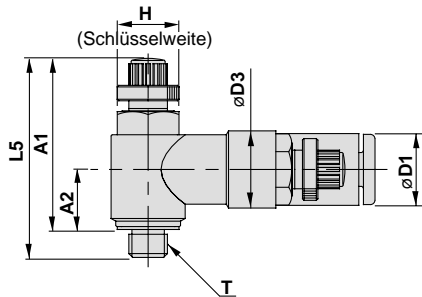
AK

ASS

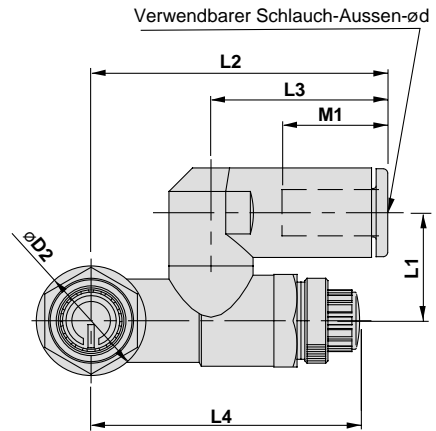
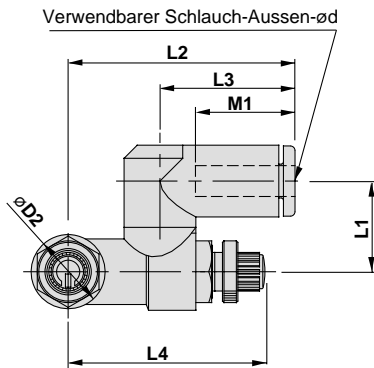
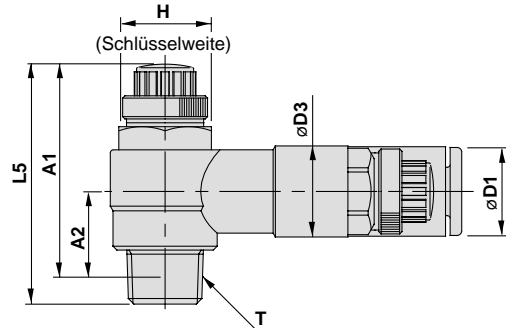
# Serie ASD-FG

## Abmessungen/Zoll

### ASD230FG



### ASD330FG/430FG ASD530FG/630FG



## Abmessungen in Zoll

| Modell             | d     | T            | H    | D1   | D2   | D3   | L1   | L2   | L3   | L4   |      | L5   |      | A1 * |      | A2 * | M1   |
|--------------------|-------|--------------|------|------|------|------|------|------|------|------|------|------|------|------|------|------|------|
|                    |       |              |      |      |      |      |      |      |      | Max. | Min. | Max. | Min. | Max. | Min. |      |      |
| ASD230FG-U10/32-01 | 1/8"  | 10-32<br>UNF | 8    | 8.4  | 9.6  | 10   | 11.7 | 29.4 | 17.5 | 28.3 | 25.5 | 28.6 | 25.8 | 25   | 22.2 | 7.8  | 12.9 |
| ASD230FG-U10/32-03 | 5/32" |              |      | 9.3  |      |      |      |      |      |      |      |      |      |      |      |      |      |
| ASD230FG-U10/32-05 | 3/16" |              |      | 11.4 |      |      |      |      |      |      |      |      |      |      |      |      |      |
| ASD230FG-U10/32-07 | 1/4"  |              |      | 12   |      |      |      |      |      |      |      |      |      |      |      |      |      |
| ASD330FG-N01-05S   | 3/16" | NPT1/8       | 12.7 | 11.6 | 14.2 | 11.8 | 14   | 38.5 | 23.9 | 39.6 | 34.6 | 36.1 | 31.1 | 32   | 27   | 10.6 | 16.5 |
| ASD330FG-N01-07S   | 1/4"  |              |      | 13.2 |      |      |      |      |      |      |      |      |      |      |      |      |      |
| ASD330FG-N01-09S   | 5/16" |              |      | 15.2 |      |      |      |      |      |      |      |      |      |      |      |      |      |
| ASD430FG-N02-07S   | 1/4"  | NPT1/4       | 17.5 | 13.2 | 18.5 | 15   | 18   | 43.9 | 25.6 | 41.7 | 36.7 | 40.4 | 35.4 | 34.6 | 29.6 | 11   | 17   |
| ASD430FG-N02-09S   | 5/16" |              |      | 15.2 |      |      |      |      |      |      |      |      |      |      |      |      |      |
| ASD430FG-N02-11S   | 3/8"  |              |      | 18.5 |      |      |      |      |      |      |      |      |      |      |      |      |      |
| ASD530FG-N02-07S   | 1/4"  | NPT1/4       | 19   | 13.2 | 23   | 19.8 | 20.3 | 48.7 | 25.6 | 46.9 | 41.9 | 48.8 | 43.8 | 43   | 38   | 15.4 | 17   |
| ASD530FG-N02-09S   | 5/16" |              |      | 15.2 |      |      |      |      |      |      |      |      |      |      |      |      |      |
| ASD530FG-N02-11S   | 3/8"  |              |      | 18.5 |      |      |      |      |      |      |      |      |      |      |      |      |      |
| ASD530FG-N03-07S   | 1/4"  | NPT3/8       | 19   | 13.2 | 23   | 19.8 | 20.3 | 48.7 | 25.6 | 46.9 | 41.9 | 46.5 | 41.5 | 40.3 | 35.3 | 14   | 17   |
| ASD530FG-N03-09S   | 5/16" |              |      | 15.2 |      |      |      |      |      |      |      |      |      |      |      |      |      |
| ASD530FG-N03-11S   | 3/8"  |              |      | 18.5 |      |      |      |      |      |      |      |      |      |      |      |      |      |
| ASD630FG-N04-11S   | 3/8"  | NPT1/2       | 23.8 | 18.5 | 28.6 | 26.5 | 25.9 | 64.3 | 32.6 | 64.8 | 57.3 | 57.6 | 50.1 | 46.9 | 42.1 | 18.6 | 21   |

\* Referenz-Abmessungen des 10-32UNF und des NPT-Gewindes nach dem Einschrauben.