



Air Clamp Cylinders

\varnothing 1", 2 1/4" and 3" bore single acting

Catalogue no. PDE2521TCUK-ca



Air Clamps

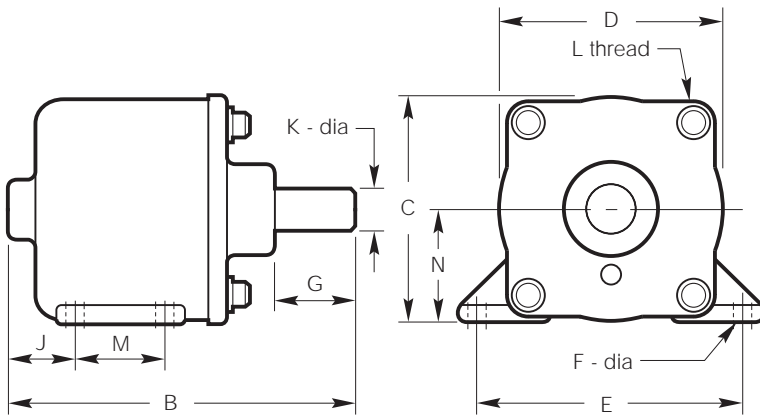
Ø 1", 2 1/4" and 3" bore

A simple, yet versatile, push type air cylinder with spring return.
Manufactured from bearing type bronze alloy which obviates the need for a separate neck bearing, these

rugged air clamps have many uses which include clamping, positioning, marking and striking - in particular their use as a clamp relieves the operator of the tiring physical work of mechanical clamp setting.

Leg mounted type

Delivering a smooth rapid push stroke parallel to the integral mounting surface.
1" bore sizes two mounting holes, larger sizes have four.



Dimensions

Bore size	Stroke	Part No	B	C	D	E crs	G	J	K dia	L	M crs	N	Port
1" / 25mm	1" / 25mm	033510099	90.9	31	30.2	41.1	18.5	33.3	7.9	2 - 10-32	-	15.7	1/8NPT
	2" / 51mm	033510199	116.3	31	30.2	41.1	18.5	58.7	7.9	2 - 10-32	-	15.7	1/8NPT
2 1/4" / 57mm	1" / 25mm	033520099	102.4	65.8	65	77.7	25.4	19.8	12.7	4 - 10-32	26.9	33.3	1/8NPT
	2" / 51mm	033520199	127.8	65.8	65	77.7	25.4	45.2	12.7	4 - 10-32	26.9	33.3	1/8NPT
3" / 76mm	1" / 25mm	033530099	118.4	88.9	84.1	85.9	27.4	22.6	15.7	6 - 1/4-28	28.4	44.4	1/8NPT
	2" / 51mm	033530199	143.8	88.9	84.1	85.9	27.4	48	15.7	6 - 1/4-28	28.4	44.4	1/8NPT

Note: The spring return is designed to move the weight of the piston and rod only.

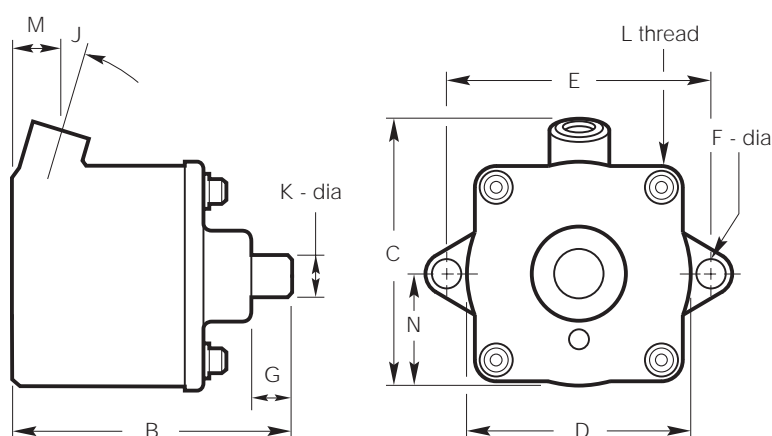
Pressure Range: 1 to 10 bar air only.

Temperature Range: -23°C to +74°C

Air Clamps are available only in stroke lengths of 1" (25mm) and 2" (51mm) in each bore size.

Base mounted type

This delivers a push stroke perpendicular to the mounting surface with the base having two integral mounting lugs on all sizes.



Dimensions

Bore size	Stroke	Part No	B	C	D	E crs	F dia	G	J	K dia	L	M	N	Port
1" / 25mm	1" / 25mm	034510099	82.6	46	30.2	41.1	5.1	18.5	17°	7.9	2 - 10-32	14.2	15	1/8NPT
	2" / 51mm	034510159	108	46	30.2	41.1	5.1	18.5	17°	7.9	2 - 10-32	14.2	15	1/8NPT
2 1/4" / 57mm	1" / 25mm	034520119	95.8	79.2	65	77.7	6.9	25.4	17°	12.7	4 - 10-32	14.2	32.5	1/8NPT
	2" / 51mm	034520179	121.2	79.2	65	77.7	6.9	25.4	17°	12.7	4 - 10-32	14.2	32.5	1/8NPT
3" / 76mm	1" / 25mm	034530129	110	100.8	84.1	101.6	8.4	27.4	17°	15.7	6 - 1/4-28	14.2	44.4	1/8NPT
	2" / 51mm	03453-0189	135.4	100.8	84.1	101.6	8.4	27.4	17°	15.7	6 - 1/4-28	14.2	44.4	1/8NPT

Note: The spring return is designed to move the weight of the piston and rod only.

Pressure Range: 0.3 to 10 bar air only.

Temperature Range: -23°C to +74°C

Air Clamps are available only in stroke lengths of 1" (25mm) and 2" (51mm) in each bore size.

Pneumatic Division Sales Offices

Austria - Wr.Neustadt

Tel: +43 2622 23501-970
Fax: +43 2622 23501-977

Belgium - Nivelles

Tel: +32 67 280 900
Fax: +32 67 280 999

Czech and Slovak Republics - Prague

Tel: +4202 830 852 21
Fax: +4202 830 853 60

Ishøj - Denmark

Tel: +45 43 560 400
Fax: +45 43 733 107

Finland - Vantaa

Tel: +358 9 4767 31
Fax: +358 9 4767 3201

France - Evreux

Tel: +33 820 825 239
Fax: +33 820 029 870

Germany - Mettmann

Tel: +49 2104 137 0
Fax: +49 2104 137 500

Greece - Athens

Tel: +30 210 933 6450
Fax: +30 210 933 6451

Hungary - Budapest

Tel: +36 1 220 4155
Fax: +36 1 422 1525

Italy - Corsico, Milan

Tel: +39 02 4519 21
Fax: +39 02 4479 340

Netherlands - Oldenzaal

Tel: +31 541 585 000
Fax: +31 541 585 459

Norway - Langhus

Tel: +47 6491 1000
Fax: +47 6491 1090

Poland - Warsaw

Tel: +48 22 8634 942
Fax: +48 22 8634 944

Portugal - Leça da Palmeira

Tel: +351 22 999 7360
Fax: +351 22 996 1527

Romania - Bucharest

Tel: +40 21 252 3382
Fax: +40 21 252 3381

Russia - Moscow

Tel: +7 095 234 0054
Fax: +7 095 234 0528

Slovenia - Novo mesto

Tel: +386 7337 6650
Fax: +386 7337 6651

Spain - Madrid

Tel: +34 91 675 7300
Fax: +34 91 675 7711

Sweden - Spånga

Tel: +46 (0) 8 5979 5000
Fax: +46 (0) 8 5979 5110

Switzerland - Bell

Tel: +41 32 3653 711
Fax: +41 32 3653 730

UK - Cannock

Tel: +44 1543 456 000
Fax: +44 1543 456 001

Ukraine - Kiev

Tel: +380 44 220 7432
Fax: +380 44 220 6534



Parker Hannifin plc
Pneumatic Division
Walkmill Lane, Bridgtown,
Cannock, Staffs. WS11 3LR. U.K.
United Kingdom

We reserve the right to make
alterations without prior notification.
Edition 03.04